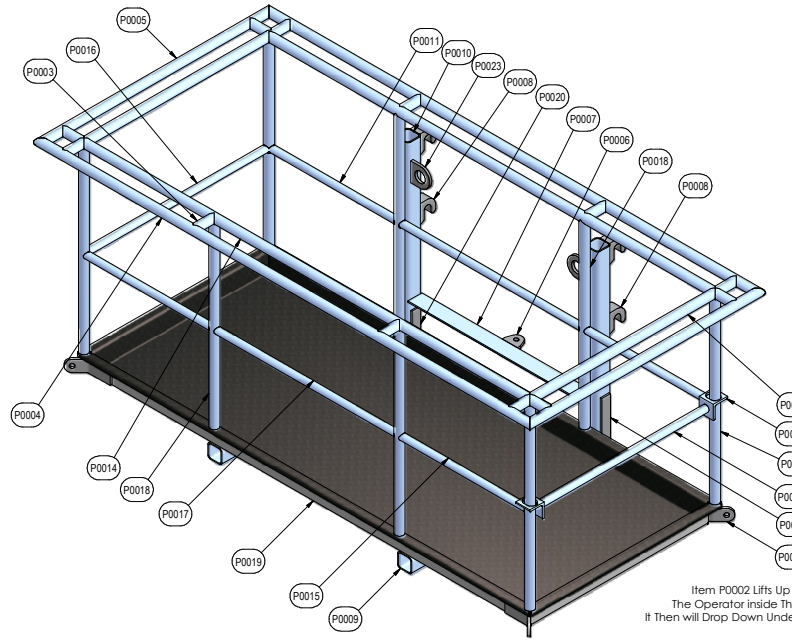


PLAN VIEW
SCALE 1 : 10



ISOMETRIC VIEW
SCALE 1 : 10

WORKBOX SPECIFICATION

Design Code: AS 1418.17 : 1996.
 Rated capacity : 360 kg SWL.
 Tare weight : 250 kg.
 Gross weight : 610 kg.
 Test load : 792 kg
 Minimum crane capacity : 1220 kg
 Maximum number of persons : 4
 Serial number : ITC100212-3

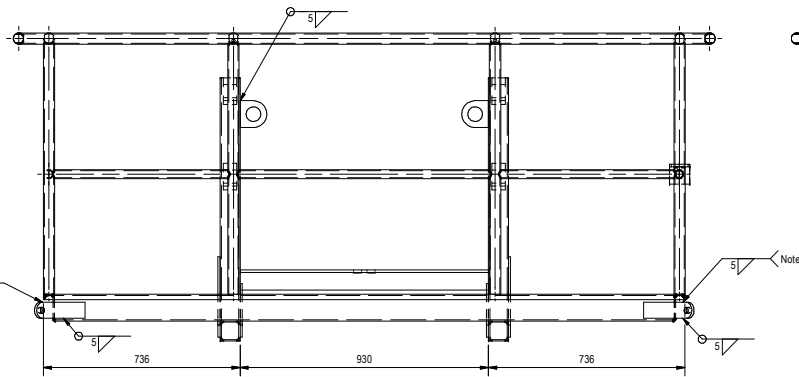
SAFE WORKING LOAD 360kg

Above data markings to be in accordance with section 2.13
 Test weight of 792 kg based on 2.2 x SWL
 Testing to be in accordance with Section 4
 SWL is based on an average of 80kg per person plus 40kg of tools
 Rigging - Masterlink - Large multi oblong link rated at 3.5 WLL
 Wire rope - 13mm diameter MBL 10800kg
 Shackles - Green pin shackle rated at 3.2T WLL

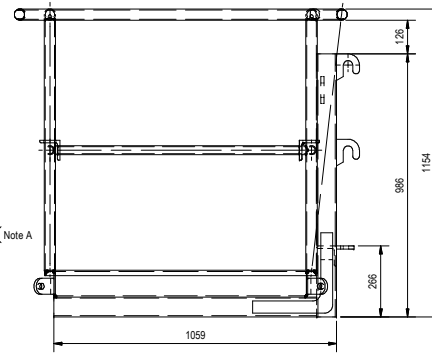
Item P0002 Lifts Up To Allow
 The Operator inside The Man Cage.
 It Then will Drop Down Under it's Own Weight.

NOTE

Cap all open RHR and SHS with 3mm MS Plate.
 All welds to be 5mm fillet unless noted other wise.
 Remove all Sharp Edges.



ELEVATION VIEW
SCALE 1 : 10



SIDE VIEW
SCALE 1 : 10

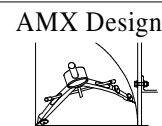
Note: A
 Lifting lug to be welded to underside of folded lip

PART DETAILS				
PART No:	DESCRIPTION	MATERIAL	MASS	REFERENCE
P0001	ANGLE 75 x 75 x 10	GR 300	0.6 kg	1004-P0001
P0002	PIPE (API) 25mm NB SCH 40	GR 250	2.3 kg	
P0003	PIPE (API) 32mm NB SCH 40	GR 250	0.3 kg	
P0004	PIPE (API) 32mm NB SCH 40	GR 250	8.8 kg	
P0005	PIPE (API) 32mm NB SCH 40	GR 250	4.1 kg	
P0006	LUG PLATE	GR 250	0.4 kg	Purchased
P0007	ANGLE 75 x 75 x 10	GR 300	9.8 kg	
P0008	HOOK PLATE	GR 250	1.9 kg	Purchased
P0009	RHS 75 x 75 x 6	GR 250	10.0 kg	
P0010	RHS 75 x 75 x 6	GR 250	10.0 kg	
P0011	PIPE (API) 25mm NB SCH 40	GR 250	1.6 kg	
P0013	PIPE (API) 32mm NB SCH 40	GR 250	4.0 kg	
P0014	PIPE (API) 32mm NB SCH 40	GR 250	7.9 kg	
P0015	PIPE (API) 25mm NB SCH 40	GR 250	1.6 kg	
P0016	PIPE (API) 25mm NB SCH 40	GR 250	2.4 kg	
P0017	PIPE (API) 25mm NB SCH 40	GR 250	2.4 kg	
P0018	PIPE (API) 32mm NB SCH 40	GR 250	3.2 kg	
P0019	5mm CHEQ PLATE FLOR	Steel, Mild	122.1 kg	1004-P0019
P0020	DOUBLER PLATE	GR 250	1.3 kg	1004-P0020
P0021	DOUBLER PLATE	GR 250	1.6 kg	1004-P0021
P0022	LIFTING LUG PLATE	GR 250	1.1 kg	1004-P0021
P0023	SAFETY HARNESS LUG	GR 250	0.6 kg	1004-P0023

REV	REVISION DESCRIPTION	BY	APP.	DATE
A	ISSUED FOR CONSTRUCTION	AMX		14/05/2010
3	DOUBLER PLATE ADDED	AMX		28/02/2010
2	SHS REPLACE BY SCH PIPE	AMX		21/02/2010
1	DRAWING ISSUED FOR APPROVAL	AMX		20/02/2010

DO NOT SCALE
 DIMENSIONS IN MILLIMETRES
 DRAFTING STANDARD: AS1100.101-1992

TOLERANCE TABLE		
NOMINAL DIMENSIONS	DIMENSIONS WITH DECIMALS	
FROM	TO	NO. OF DECIMALS
0	300mm	±1.0mm
300mm	1000mm	±1.5mm
1000mm	3000mm	±2.0mm



CAD
Design Drafting
 Ph (07) 542 1849
 Fax (07) 572 1445
 Mob (021) 82 6278

APP	DATE
3D MODEL	AMX 20/02/2010
PRODUCTION	
SALES	AMX 20/02/2010
DESIGN	BC
DRAFTING	AMX 20/02/2010

SIZE	SCALE	DRAWING NUMBER	SHEET	REV
A1		1004-A0001	1 / 1	A

MANCAGE
2400 WIDE
GENERAL ARRANGEMENT